

## Information Service 5/2008

Spray Guns

### New Automatic Spray Gun PILOT WA 700

---

The lightweight and compact automatic spray gun WA 700 is equipped with a newly developed nozzle/air cap system. This allows particularly fine atomisation combined with a high transfer efficiency and high repeat accuracy. As all wetted parts are made of stainless steel, the Pilot WA 700 can be used for spraying all sprayable materials. Versions with extensions are also available for spraying areas that are difficult to access. Depending on the application, the spray gun is available with internal or external control. Model versions for circulation systems can also be ordered. In addition, the product range includes a material-saving medium-pressure version. Medium-pressure technology is a further development of HVLP technology. Medium-pressure systems achieve exceptionally fine atomisation with a high transfer efficiency.

#### Advantages:

- Compact, space-saving design
- Optimum fixture system (on two sides by M6 thread on a bracket)
- Optional: positioning using feather keys
- Air cap locking in 30° steps allows precise repeatability of the air cap position
- Variable packing chamber for the use of different packings
- Extremely fine atomisation with a high transfer efficiency
- Stainless steel material duct is suitable for all sprayable materials
- Low flushing agent consumption due to smooth material duct with no transitions
- Extensions allow spraying in areas that are difficult to access
- Different versions and variants available
- Pressure versions can be easily recognised by the colour of the air cap:  
High-pressure = silver, Medium-pressure (MP) = blue, Low-pressure (HVLP) = green

#### Sprayable materials

- Separating agents
- Paints
- Lacquers
- Adhesives
- Sealants
- etc.



#### Areas of application

- Industrial coating and finishing
- Furniture industry
- Adhesive application
- Separating agent application



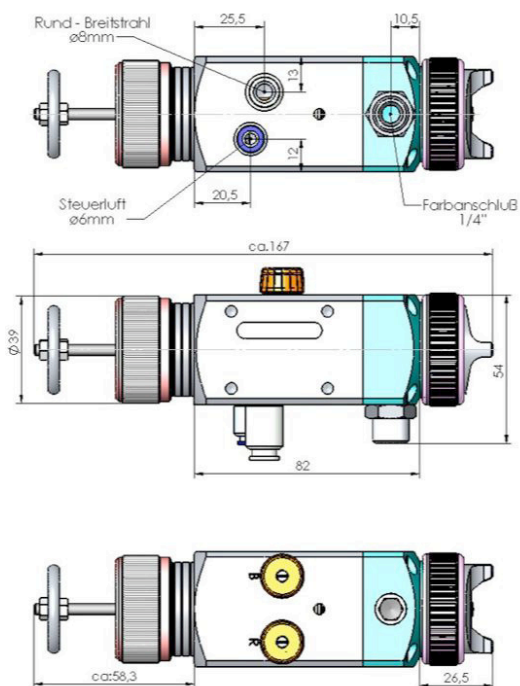
# WALTHER PILOT

## Technical data

Material pressure	0,8 MPa, 10 bar, 145 PSI
Max. atomizer pressure	0,8 MPa, 10 bar, 145 PSI
Material inlet	G 1/4"
Control air connection	G 1/8"
Atomizer air connection	G 1/8"
Operating temperature	80°C, 176.0°F
Weight	WA 700: 729 g, 1.61 lb WA 705: 623 g, 1.37 lb
Max. sound level	86 dB(A)

## Dimensions

### PILOT WA 700 with internal control



### PILOT WA 705 for external control

